



Premium Retractable Banner Stand

Stress Free Warranty
If it breaks, we'll fix it!*

- Durable
- Simple set-up
- Quick-change graphics



Premium Retractable Base

INCLUDED COMPONENTS



Durable Carrying Bag, Silver Retractable Stand, & Telescoping Pole

ACCESSORIES



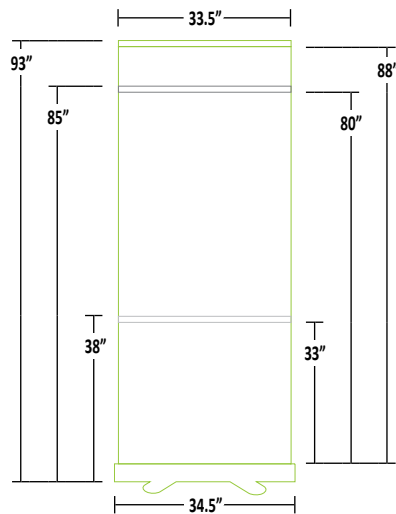
†Fits 33.5"

Hard Case
Outer Dimensions
6.5"L x 6.5"W x 41"D
Inner Dimensions
6.25"L x 5.5"W x 41.5"D



LED Stem Light

SIZES



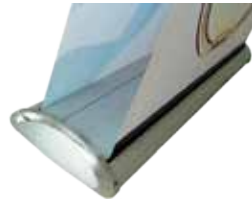
Pole Height & Graphic are Adjustable

Note: Refer to templates for art layout.

*Defective hardware will be replaced or repaired for the life of the product. Shipping costs are not covered under the Warranty.



Double Sided Premium Retractable



Double Sided Base Detail

Stress Free Warranty
If it breaks, we'll fix it!*

- Durable
- Simple set-up
- Quick-change graphics

INCLUDED COMPONENTS

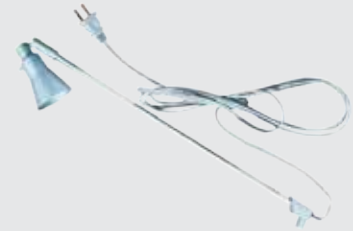


Double Sided Premium Retractable Stand



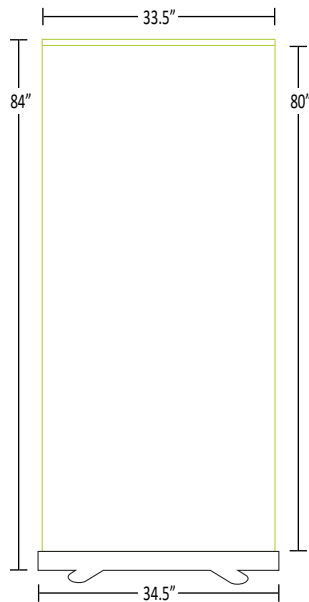
Durable Carrying Bag

INCLUDED COMPONENTS



LED Stem Light

SIZES



Pole Height & Graphic are Adjustable

Note: Art templates available.

*Defective hardware will be replaced or repaired for the life of the product. Shipping costs are not covered under the Warranty.



Economy Banner Stand



Economy Retractable Base

- Reliable
- Simple set-up
- Quick-change graphics

INCLUDED COMPONENTS



Silver Retractable Stand & Shock-corded Pole



Durable Carrying Bag

ACCESSORIES



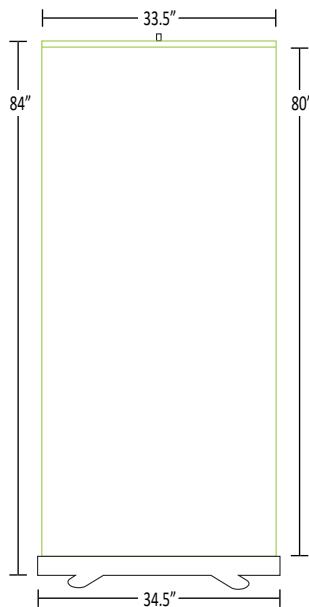
Hard Case
Outer Dimensions
6.5" L x 6.5" W x 41" D
Inner Dimensions
6.25" L x 5.5" W x 41.5" D



LED Stem Light

†Fits 33.5"

SIZES



Note: Art templates are available.



Outdoor Banner Stand



Stress Free Warranty
If it breaks, we'll fix it!*

- Durable
- Simple set-up
- Quick-change graphics

INCLUDED COMPONENTS



Double Sided Premium Retractable Stand

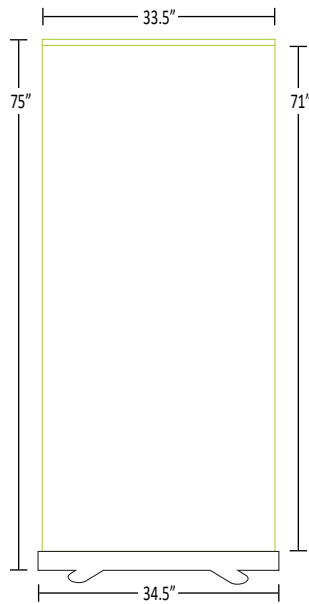


Durable Carrying Bag (Base)



Durable Carrying Bag (Feet)

SIZES



Pole Height & Graphic are Adjustable

Note: Refer to templates for art layout.

*Defective hardware will be replaced or repaired for the life of the product. Shipping costs are not covered under the Warranty.



Portable Backwalls



Adjustable Stand

Stress Free Warranty
If it breaks, we'll fix it!*

- Durable
- Simple set-up
- Quick-change graphics

INCLUDED COMPONENTS



Expandable Frame



Durable Wheeled Carrying Bag

ACCESSORIES



Linkable LED Light



Black Wood
(Only Available for Large Case)



Case Wrap



Large Wheeled Plastic Case

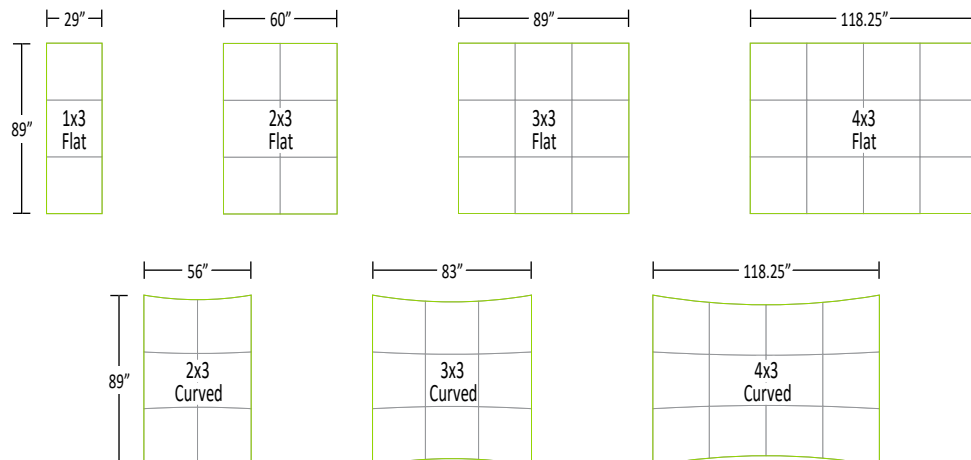
Outer Dimensions
28"W x 17"D x 39"H
Inner Dimensions
24"W x 12"D x 32"H



Small Wheeled Plastic Case
(Stands must be removed from Wheeled Carrying Bag)

Outer Dimensions
17"W x 16"D x 39"H
Inner Dimensions
14"W x 11.5"D x 32.5"H

SIZES



Note: Art templates are available.

*Defective hardware will be replaced or repaired for the life of the product. Shipping costs are not covered under the Warranty.



Tube Banner Stand



Stress Free Warranty
If it breaks, we'll fix it!*

- Durable
- Simple set-up
- Quick-change graphics

INCLUDED COMPONENTS

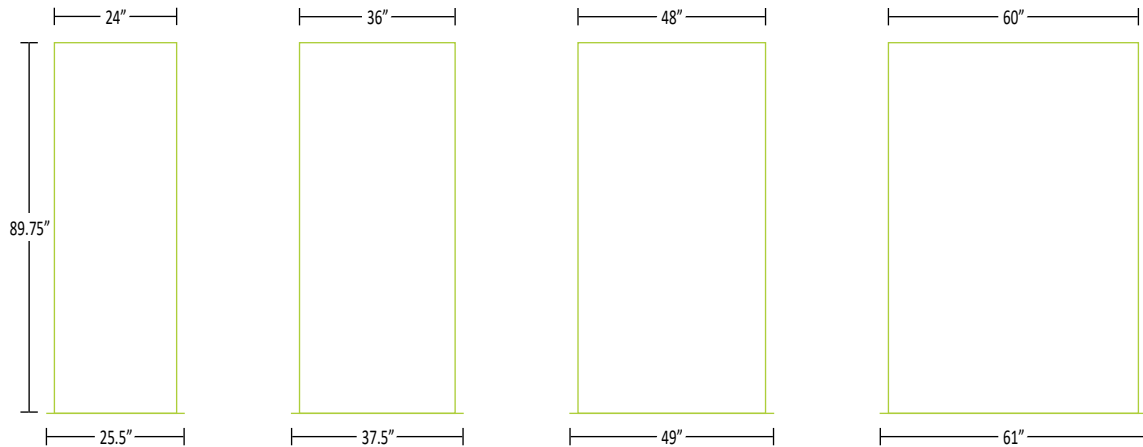


Aluminum Tube Frame with
10" wide Steel Base Plate



Durable Carrying Bag
(Frame and Top come
in Different Bags)

SIZES



Note: Refer to templates for art layout.

*Defective hardware will be replaced or repaired for the life of the product. Shipping costs are not covered under the Warranty.



Column Stand



Stress Free Warranty
If it breaks, we'll fix it!*

- Durable
- Simple set-up
- Quick-change graphics

INCLUDED COMPONENTS

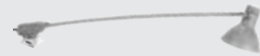


Collapsible Aluminum Frame



Durable Carrying Bag
(Frame and Top come in Different Bags)

ACCESSORIES



LED Double Stem Light

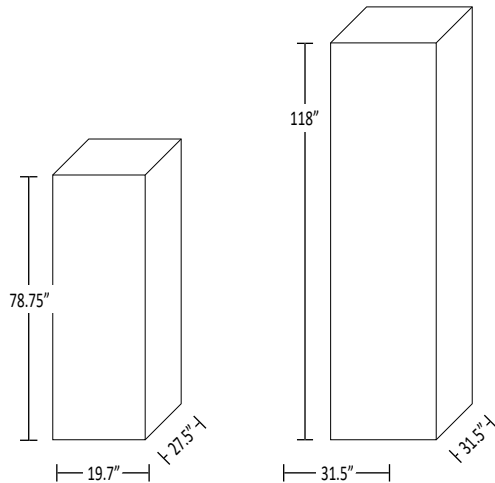


Linkable LED Light



Small Wheeled Plastic Case
(Stands must be removed from Wheeled Carrying Bag)
Outer Dimensions
17"W x 16"D x 39"H
Inner Dimensions
14"W x 11.5"D x 32.5"H

SIZES



Note: Art templates are available.

*Defective hardware will be replaced or repaired for the life of the product. Shipping costs are not covered under the Warranty.



Arch



Stress Free Warranty
If it breaks, we'll fix it!*

- Durable
- Simple set-up
- Quick-change graphics

INCLUDED COMPONENTS



Collapsible Aluminum Frame



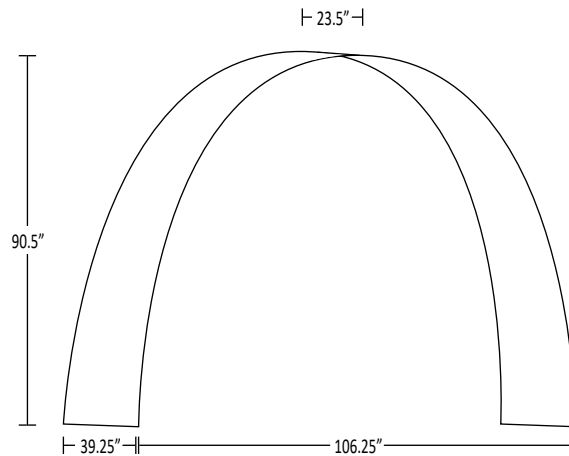
Durable Carrying Bag
(Frame and Top come in Different Bags)

ACCESSORIES



Small Wheeled Plastic Case
(Stands must be removed from Wheeled Carrying Bag)
Outer Dimensions
17"W x 16"D x 39"H
Inner Dimensions
14"W x 11.5"D x 32.5"H

SIZES

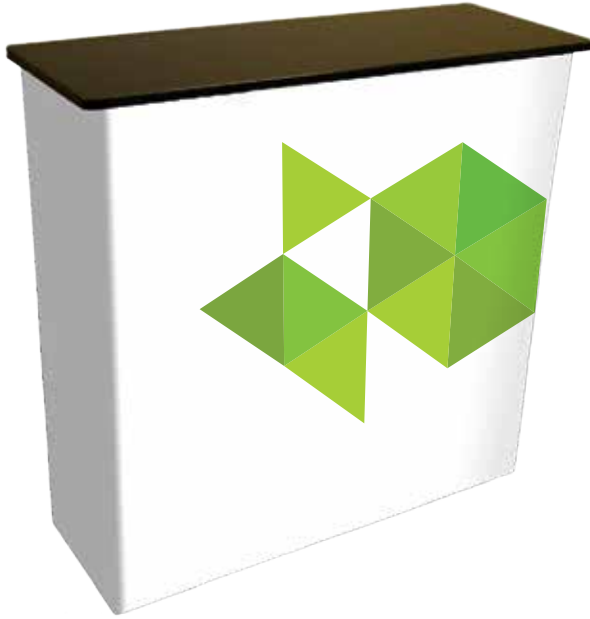


Note: Refer to templates for art layout.

*Defective hardware will be replaced or repaired for the life of the product. Shipping costs are not covered under the Warranty.



Pop-up Podium



Stress Free Warranty
If it breaks, we'll fix it!*

- Lightweight & Portable
- Simple set-up
- Quick-change graphics

INCLUDED COMPONENTS



Collapsible Podium, Black Top,
& Internal Shelf



Durable Carrying Bag
(Frame and Top come
in Different Bags)

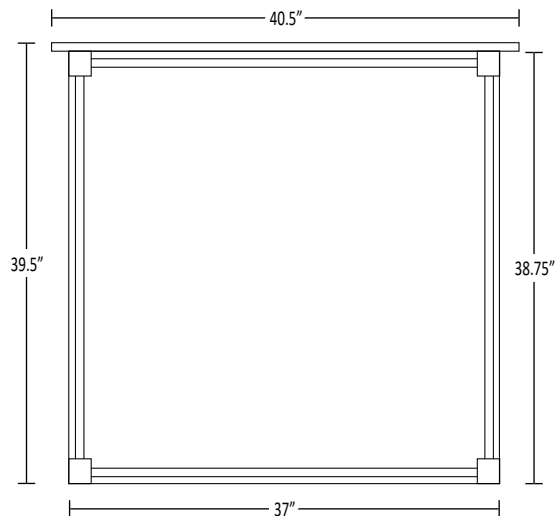
ACCESSORIES



Large Wheeled
Plastic Case

Outer Dimensions
28"W x 17"D x 39"H
Inner Dimensions
24"W x 12"D x 32"H

SIZES



Load Weights (Evenly Distributed)
Counter Top: 35 lbs.
Storage Shelf: 15 lbs.

Dimensions
Counter Top: 40.5" W x 18.5" D
Storage Shelf: 38.5" W x 15" D

Note: Art templates are available.

*Defective hardware will be replaced or repaired for the life of the product. Shipping costs are not covered under the Warranty.



Oval Fabric Counter

Stress Free Warranty
If it breaks, we'll fix it!*

- Lightweight & Portable
- Simple set-up
- Quick-change graphics



INCLUDED COMPONENTS

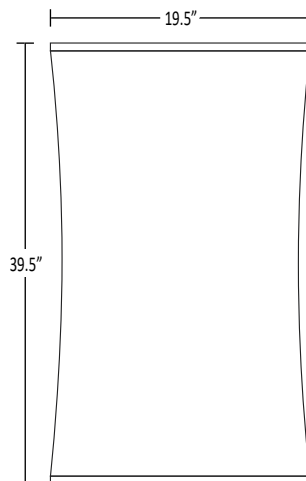


Collapsible Podium & Black Top



Durable Carrying Bag
(Frame and Top come in Different Bags)

SIZES



Load Weights (Evenly Distributed)
Counter Top: 35 lbs.

Dimensions
Counter Top: 19.5" W x 13" D

Note: Art templates are available.

*Defective hardware will be replaced or repaired for the life of the product. Shipping costs are not covered under the Warranty.



Rectangle Fabric Counter

Stress Free Warranty
If it breaks, we'll fix it!*

- Lightweight & Portable
- Simple set-up
- Quick-change graphics



INCLUDED COMPONENTS

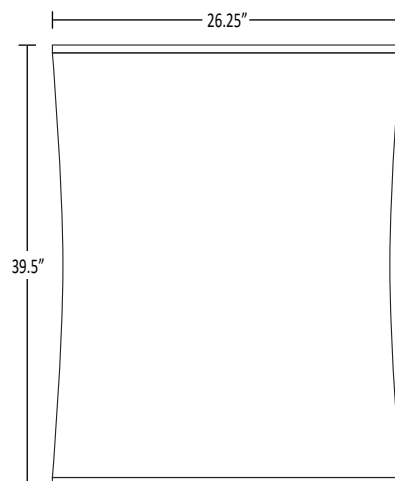


Collapsible Podium & Black Top



Durable Carrying Bag
(Frame and Top come in Different Bags)

SIZES



Load Weights (Evenly Distributed)
Counter Top: 35 lbs.

Dimensions
Counter Top: 26.25" W x 17.25" D

Note: Art templates are available.

*Defective hardware will be replaced or repaired for the life of the product. Shipping costs are not covered under the Warranty.



Adjustable Frame



- Adjustable Sizes
- Simple set-up
- Quick-change graphics

INCLUDED COMPONENTS

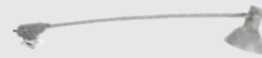


Adjustable Black Stand



Durable Carrying Bag

ACCESSORIES



LED Double Stem Light

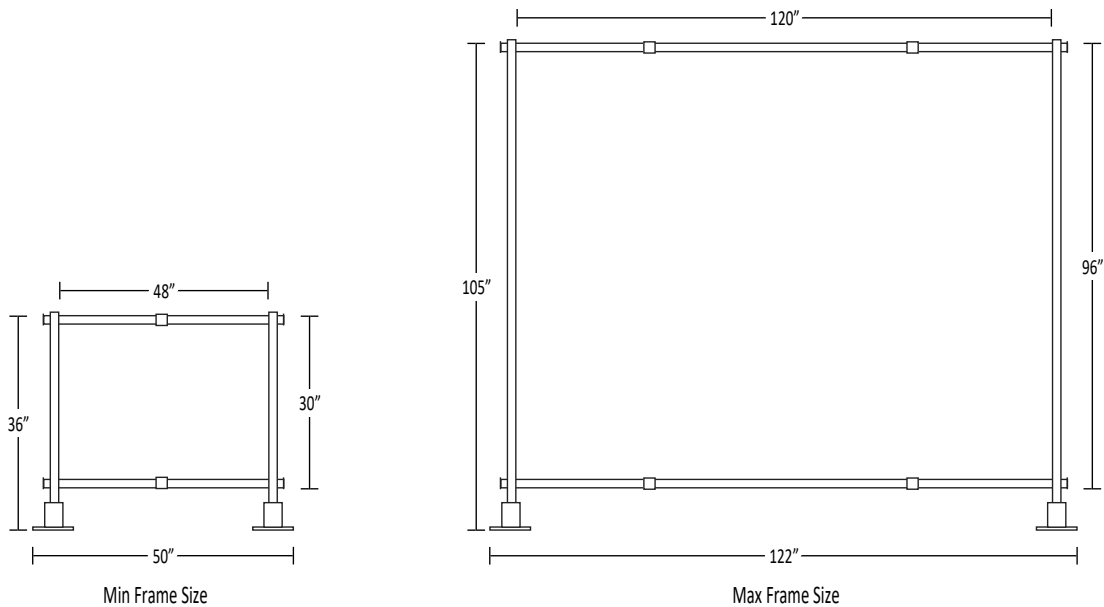


Linkable LED Light



Small Wheeled Plastic Case
(Stands must be removed from Wheeled Carrying Bag)
Outer Dimensions
17"W x 16"D x 39"H
Inner Dimensions
14"W x 11.5"D x 32.5"H

SIZES





Flying Banners

Stress Free Warranty
If it breaks, we'll fix it!*

- Simple set-up
- Quick-change graphics
- Multiple Shapes
- Durable Fiberglass Poles

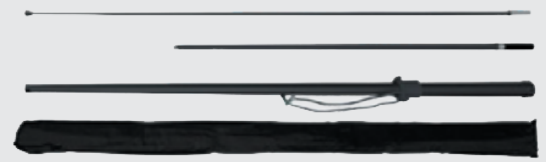


Feather

Blade

Flag

INCLUDED COMPONENTS



Poles and Carrying Bag

Note: A Ground Stake or Hard Surface Stand is Required.

ACCESSORIES



Ground Stake

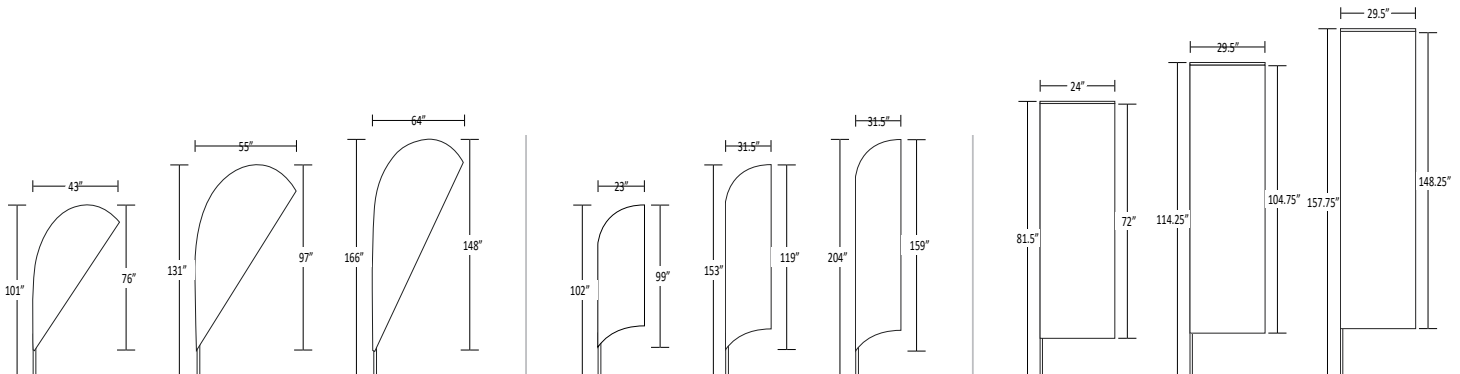


Floor Stand



Water Ring

SIZES



Note: Art templates are available.

*Defective hardware will be replaced or repaired for the life of the product. Shipping costs are not covered under the Warranty.



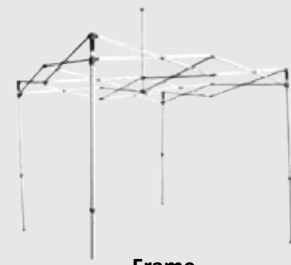
Pop-up Tent



Stress Free Warranty
If it breaks, we'll fix it!*

- Durable
- Simple set-up
- Quick-change graphics

INCLUDED COMPONENTS



Frame

ACCESSORIES



Side Rails

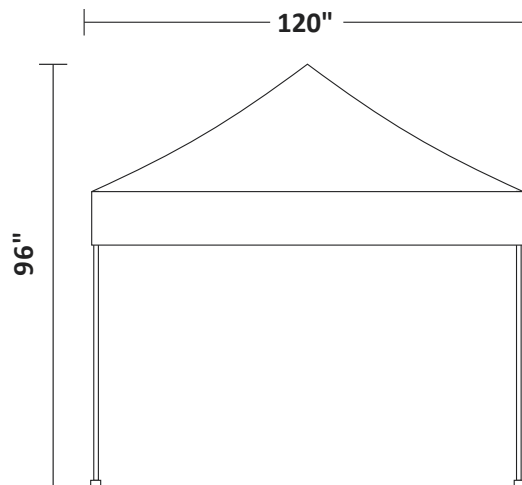


Rope/Stake Kit



Soft Wheeled Travel Case

SIZES



Note: Refer to templates for art layout. Note: Graphic Pole can adjust to fit any size graphic between 66.75" and 91".
*Defective hardware will be replaced or repaired for the life of the product. Shipping costs are not covered under the Warranty.



Table Cloths



Tension Cover



Fitted



Drape

- Multiple Styles
- Machine Washable

STYLES

- Fitted 6' & 8' (full & open back)
- Drape 6' & 8'
- Tension 6' & 8'

SIZES

FITTED

- 72" w x 30" h x 30" d
- 96" w x 30" h x 30" d

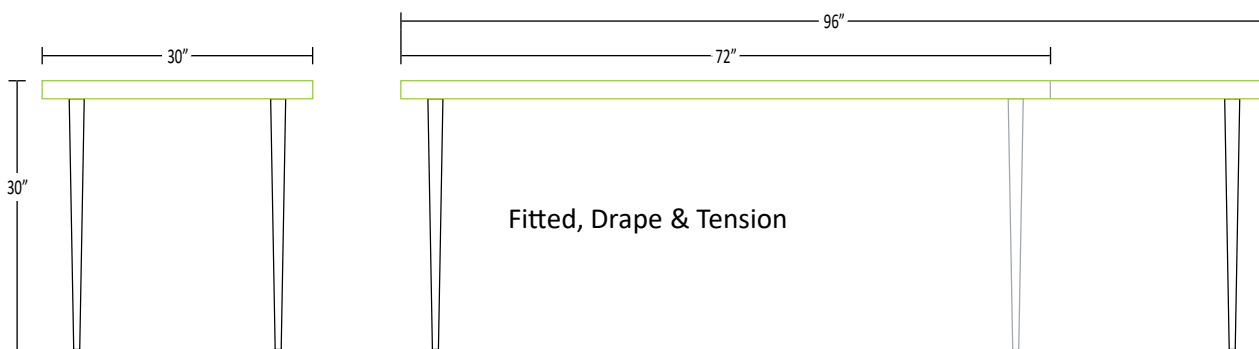
DRAPE

- 130" w x 30" h x 30" d
- 156" w x 30" h x 30" d

TENSION

- 72" w x 30" h x 30" d
- 96" w x 30" h x 30" d

SUPPORTED TABLE SIZES



Covers are designed to fit the above table sizes.