

40mm SEG Frame



Tension Fabric Frame with 40mm/1.57in depth

Frame Specifications

Frame Depth 1.57"/40mm

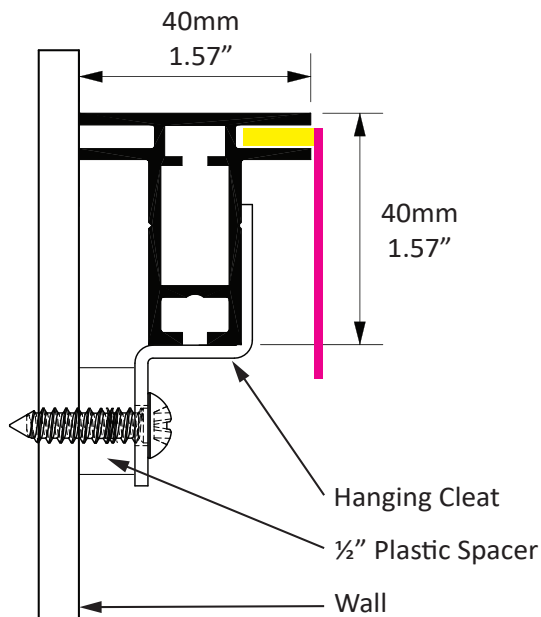
Graphics SEG fabric. Accepts 12 x 2.8mm to 12 x 3mm gasket.

Material Extruded Aluminum

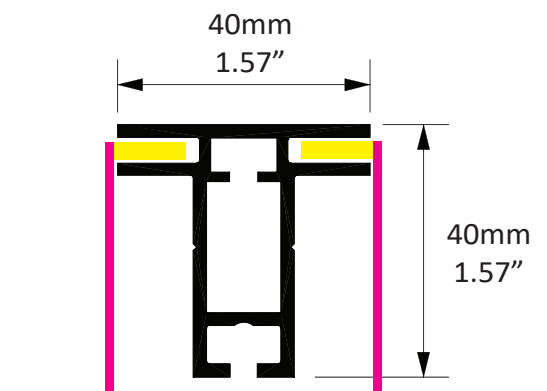
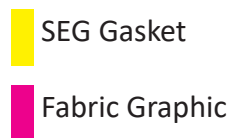
Finish Anodized aluminum. Powder coating available upon request.

Application Wall Mount or Hanging. Single or Double-Sided.

Corner Options Mitered w/ L brackets or plastic corners w/ tension locks



Wall Mount, Single-Sided



Hanging, Double-Sided



Sustainability

Recycled Content 30-51%

Recycling Frames can be recycled with any metal recycler